



## Engineered to Last

Designed and manufactured in Australia, the IONNIC range of Minebars & ROPS bars, are built using the highest quality materials and workmanship.

With more than 30 configurations available the range is engineered with durability and ease of installation as their primary focus and each is thoroughly tested before being despatched to the customer.



## Extruded Aluminium Bar

The new IONNIC Minebar is more easily customised, adaptable and user friendly than ever before.

Drawing on over a decade's experience in manufacturing and supplying Minebars, the new IONNIC Minebar range has been redesigned from the ground up.

With a new dedicated aluminium extrusion and a range of universal and vehicle specific mounting options and accessories IONNIC have created a total Minebar system allowing users to customise each bar to suit their individual requirements.

Manufactured here in Australia for local conditions.



Stepped edge allows for the use of Rhino-Rack® mounting kits.



Mounting channel runs entire length of bar allowing virtually unlimited mounting options.



## Minebars

Minebars	48
ROPS Bars	53

# Minebars

Minebars



20003A

- Designed and manufactured in Australia.
- Multiple mounting options available.
- Self-Adjusting & Fixed Volume bbs-tek or tonal reverse alarms on selected models.
- Models also available with forward facing turn signal LEDs.
- All minebars equipped with ADR approved IONNIC LED combination lamps - stop, tail, indicator & reverse lamps.
- Extruded aluminium bar providing greater strength and adaptability.
- Stepped edge allows for the use of Rhino-Rack® mounting kits.
- Mounting channel runs entire length of bar allowing virtually unlimited mounting options.
- 12V, 24V and multi-voltage versions available.



Base :  
Harness :

Anodised Aluminium  
4m

Select 1275mm bars feature forward turn signal LEDs.



20003AF

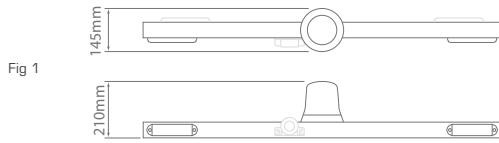


**NEW**

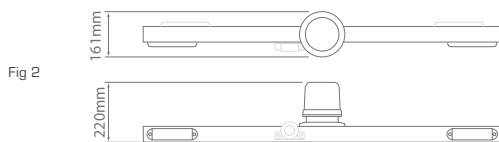
Self-Adjusting & Fixed Volume bbs-tek or tonal reverse alarms on selected models.



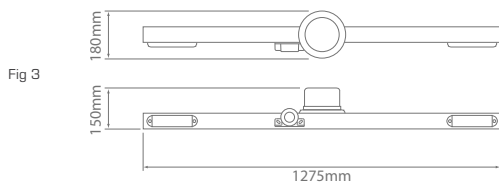
21005A



20002A



20006BSA



21003A

**NEW**

## Minebars - 1275mm

Part No.	Voltage	Beacon Type	Alarm Type	Sound Level - dB(A) @1m	Fig
20003	12	Halogen Rotating	—	—	1
20003A	12	Halogen Rotating	Tonal	97	1
20003AF*	12	Halogen Rotating	Tonal	97	1
20003B	12	Halogen Rotating	bbs-tek	92	1
20003BSA	12	Halogen Rotating	bbs-tek Self-Adjusting	77 - 97	1
20002A	12-24	Xenon Strobe	Tonal	97	1
20006A	12-24	LED Rotating	Tonal	97	2
20006B	12-24	LED Rotating	bbs-tek	92	2
20006BSA	12-24	LED Rotating	bbs-tek Self-Adjusting	77 - 97	2
21003A	12-24	IONNIC LED Beacon	Tonal	97	3

24V units built to order, lead times apply.

\*Features forward facing turn signal LEDs.



# Minebars



20005BSA

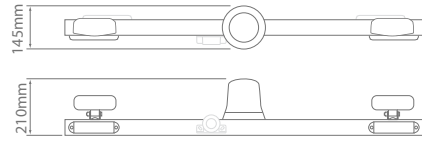


Fig 1



21005A

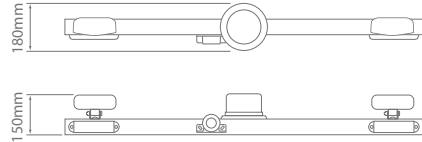


Fig 2



20010A

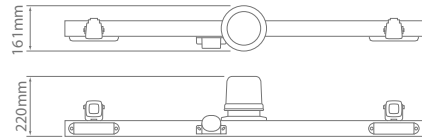


Fig 3



30008B

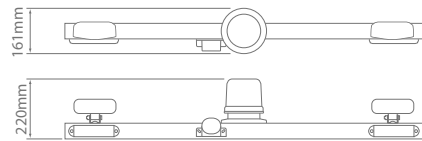


Fig 4



30005B

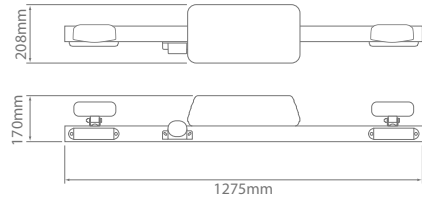


Fig 5

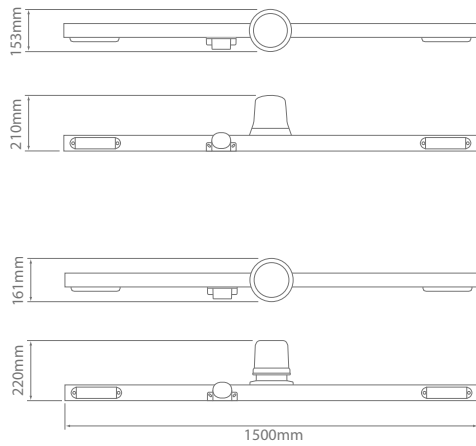


## Minebars - 1275mm with Worklamps

Part No.	Voltage	Beacon Type	Alarm Type	Sound Level - dB(A) @ 1m	Worklamp	Fig
20005	12	Halogen Rotating	—	—	IONNIC 2180 LED	1
20005A	12	Halogen Rotating	Tonal	97	IONNIC 2180 LED	1
20005AF*	12	Halogen Rotating	Tonal	97	IONNIC 2180 LED	1
20005BSA	12	Halogen Rotating	bbs-tek Self-Adjusting	77 - 97	IONNIC 2180 LED	1
20009A	12-24	Xenon Strobe	Tonal	97	IONNIC 2180 LED	1
21005A	12-24	IONNIC LED Beacon	Tonal	97	IONNIC 2180 LED	2
20010B	12-24	LED Rotating	bbs-tek	92	Nordic N10 LED	3
30008B	12-24	LED Rotating	bbs-tek	92	IONNIC 2180 LED	4
30005B	12	Blaze Halogen Rotating	bbs-tek	92	IONNIC 2180 LED	5

24V units built to order, lead times apply.

\*Features forward facing turn signal LEDs.



30003BSA

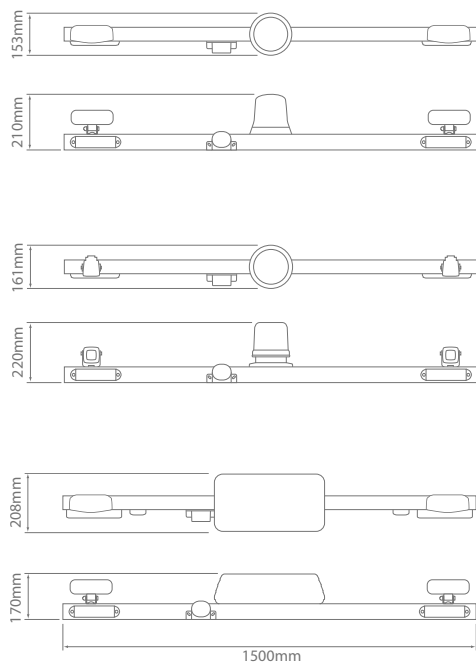


30011A

## **NEW** Minebars - 1500mm

Part No.	Voltage	Beacon Type	Alarm Type	Sound Level - dB(A) @1m
<b>30003BSA</b>	12	Halogen Rotating	bbs-tek Self-Adjusting	77 - 97
<b>30011A</b>	12-24	LED Rotating	Tonal	97

24V units built to order, lead times apply.



20008BSA



30016B



30010B

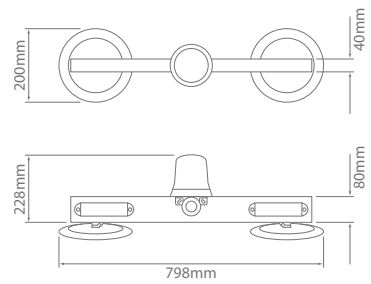
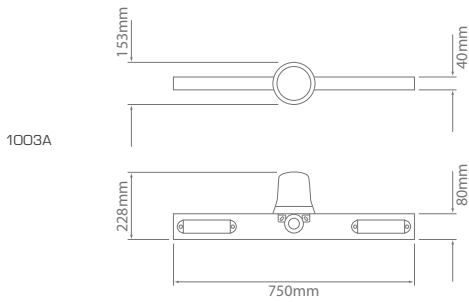
## **NEW** Minebars - 1500mm with Worklamps

Part No.	Voltage	Beacon Type	Alarm Type	Sound Level - dB(A) @1m	Worklamp
<b>20008BSA</b>	12	Halogen Rotating	bbs-tek Self-Adjusting	77 - 97	IONNIC 2180 LED
<b>30016B</b>	12-24	LED Rotating	bbs-tek	92	Nordic N10 LED
<b>30010B</b>	12	LED Blaze 8 module	bbs-tek	92	IONNIC 2180 LED

24V units built to order, lead times apply.



# Minebars



1003A

1004A

## Minebars - 750mm

Part No.	Mount Type	Voltage	Beacon Type	Alarm Type	Sound Level - dB(A) @ 1m
1003A	2 Bolt	12	Halogen Rotating	Tonal	97
1004A	Magnetic	12	Halogen Rotating	Tonal	97

24V units built to order, lead times apply.  
Magnetic versions require fitment of correct trailer plug assembly.



## Mounting Kits

Part No.	Description	Suits
905A08	Suit 100 Series Landcruiser	1275mm bars only
905A09	Universal bolt-down mounts	All bars
905A12	Suit Troop Carrier - highline roof	1275mm bars only
905A13	Suit Toyota Prado with genuine roof rails	1275mm bars only
905A14	Suit Toyota Prado without roof rails & 200 Series Landcruiser	1275mm bars only
905A15	Universal gutter mount	1275mm bars only
905FB	Accessory mount. Ideal for aerials, flags etc. Ø 12.5mm mounting hole	

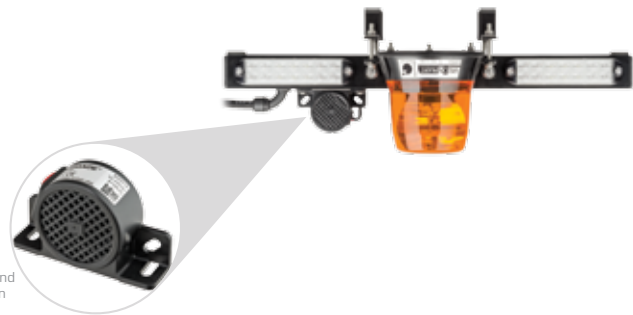
Not suitable for use with 750mm minebars.

- Designed and manufactured in Australia.
- Conforms to road registration lighting requirements.
- Quick and easy installation clamps to ROPS.
- Halogen Rotator or Xenon Beacon models.
- ADR compliant LED lamps front & rear.
- Available with bbs-tek white sound reverse alarm.
- 4m Schlemmer protected harness with Deutsch connector.
- Supplied with mounting kit.

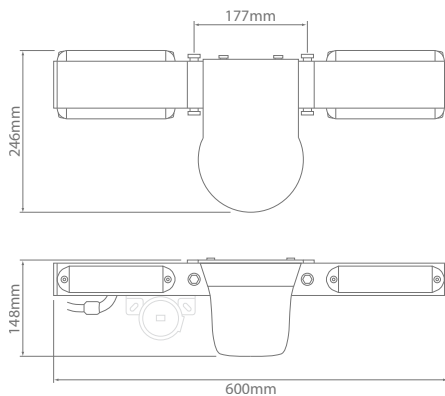


50001A

<b>Voltage :</b>	12V
<b>Flash Rate :</b>	160FPM
<b>Beacon Lens :</b>	Polycarbonate
<b>Light Source</b>	Beacon Halogen
	Stop/Tail/Indicators LED
<b>Reverse Alarm Output :</b>	87 dB
<b>Base :</b>	Powder Coated Aluminium
<b>Harness :</b>	4m



bbs-tek white sound reverse alarm on 50001A



## Roll Over Protection System Bar



Typical Installation showing bar clamped to ROPS.

## ROPS Bars

Part No.	Voltage	Beacon Type	Alarm Type
50001	12	Halogen Rotating	—
50001A	12	Halogen Rotating	87dB bbs-tek
50002	12	Xenon Strobe	—

