



RENCOOL

Australian Quality made Air Conditioners



ALLPLANT
AUTO ELECTRICS & AIR CONDITIONING

Tel: (08) 9351 9588

info@allplantelectrics.com.au

www.allplantelectrics.com.au



DRK-9727 Series

Mine Spec External Unit

To suit above & Underground Surface



**Innovative
Reliability
Carbon Free
Quality Dedication
Australian Made**



Mine Spec External Unit

To suit above & Underground Surface

22 000 BTU = 6kw

24 volt supply for instant cooling

Pre-gased system

Ready to run

No servicing

BLDC Patented Compressor drive

100 000 hrs MTBF

MODEL : 9727-DR



RENCOOL™
World Leaders in DC Voltage Air Conditioners



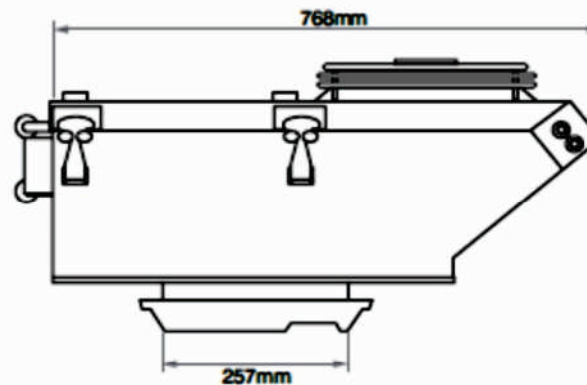
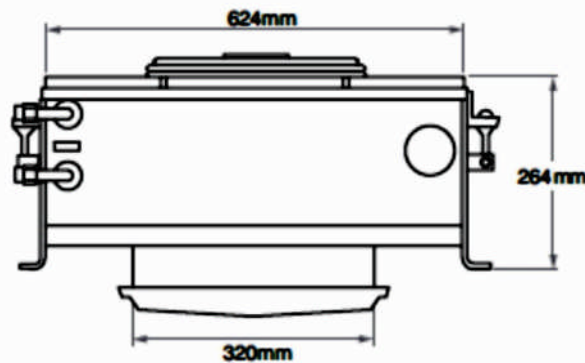
Dimensions

Height: 265mm

Width: 625mm

Length: 880mm

Weight: 62kg



Tel: (08) 9351 9588

info@allplantautoelectrics.com.au

www.allplantautoelectrics.com.au

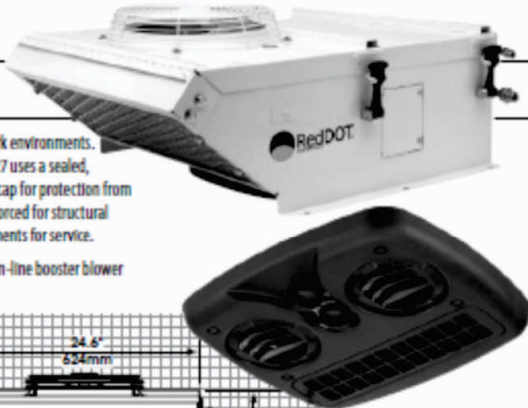
ALLPLANT
AUTO ELECTRICS & AIR CONDITIONING

R-9727 Rooftop Air Conditioner

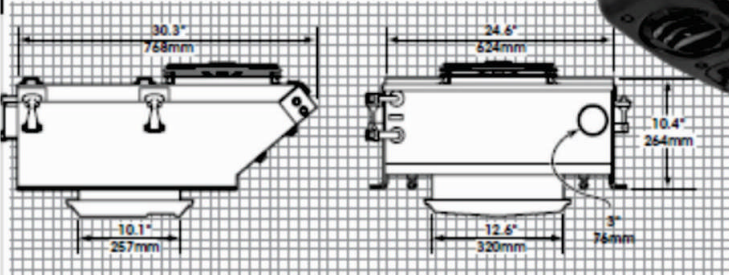
CONSTRUCTION • MINING • AGRICULTURE

The R-9727 sets the standard for rooftop air conditioners in tough work environments. Renowned for its build quality, reliability, and performance, the R-9727 uses a sealed, long-life evaporator and condenser motor with a slinger ring and hubcap for protection from weather and dust. The heavy-gauge steel casing is gusseted and reinforced for structural integrity. Rubber hood tie-downs unlatch to easily expose the components for service.

Options include a hydraulic compressor kit, remote-mount filter, and in-line booster blower for a pressurized, dust-free cab.



Low profile ceiling plenum blends with any interior.



OPTIONS:

Stiffener Brackets
RD-3-5790-0P

Remote Mount Filters
Must be used with In-line Booster Pressurizer
Horizontal: 78RS100
10 1/4" dia. x 18" long

Vertical: 78RS110
10 1/4" dia. x 23 1/4" long
(26.04cm x 45.033cm)

In-line Booster Pressurizer:
73R9202 (12 VDC)
73R9204 (24 VDC)
For use w/Remote Mount Filters 78RS100 & 78RS110 only

Winter Cover
RD-5-4031-0
(not shown)

3" Defrost Hose
sold separately
78R0300
(not shown)

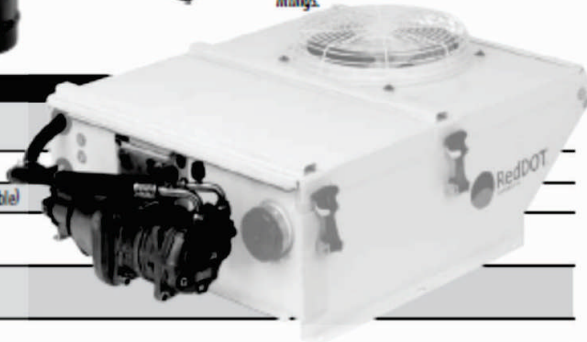


Hydraulic Compressor Kit
RD-5-13484-0P

Includes an R-9976 hydraulic axial direct drive, mounting bracket and all required A/C hoses and fittings.

INLINE BOOSTER PRESSURIZERS

| | |
|---------------------------|--|
| AIR FLOW: | 140 CFM (238 m ³ /h) with filter 230 CFM (391 m ³ /h) free flow |
| WEIGHT: | 7 lbs. (3 Kg) |
| MOTOR: | one 12 VDC, single speed (24 VDC available) |
| CURRENT DRAW: | 10.2 amps @ 13.6 VDC or 6 amps @ 27.2 VDC |
| INLET/OUTLET Size: | 4" inlet, 3" outlet |



☐ Limited to stock on hand

R-9727 SPECIFICATIONS

| | |
|----------------------|--|
| BTUs: | Cooling – 22,000 BTU/Hr with 36°F (6.4 kw w/2.2°C refrigerant temperature and 80°F (26.7°C) wet bulb entering air) |
| AIR FLOW: | Evaporator – 320 CFM (544 m ³ /h) Condenser – 850 CFM (1444 m ³ /h) |
| WEIGHT: | 104 Lbs (47 Kg) |
| MOTORS: | Evaporator – One 12 VDC, three-speed, 24 VDC available Condenser – One 12 VDC, single-speed, 24 VDC available |
| CURRENT DRAW: | 29 amps @ 13.6 VDC (includes 4 amps for A/C clutch) 15 amps @ 27.2 VDC (includes 2 amps for A/C clutch) |
| CONTROLS: | Three speed blower and adjustable thermostat |

R-9727 SYSTEM ORDERING GUIDE

| | R12/R-134a | NOTES |
|-----------------------------|--|--|
| UNITS | R-9727-2P R-9727-2-24P | 12 VDC 24 VDC |
| CONDENSER | Contained in R-9727 Unit | |
| INSTALLATION KIT | 78R1605 | Refrigerant hose and fittings |
| COMPRESSOR | See 75 Series Compressor section | |
| R134A CHARGE FITTING | 75RS681 and 75RS688 | Required with CCJ and Tecumseh applications. |
| CLUTCH | See 75 Series Clutch section | |
| COMPRESSOR MOUNT KIT | See Compressor Mount Applications section | |
| OPTIONS | Winter Cover RD-5-4031-0P Stiffener Brackets RD-3-5790-0P Remote Mount Filters ** 78RS100 (Horizontal) 78RS110 (Vertical) Replacement Filters 78RS210 (Remote Mount) Replacement Gasket Kit RD-2-0961-0P Replacement Rectr. Filter 78RS300 Pressurizer Inlet Cap RD-5-6423-0P In-Line Booster Pressurizers * 73R9202 (12 VDC) For use with Remote Mount Filters 73R9204 (24 VDC) Replacement Receiver Drier 74R2536 Replacement Plenum RD-2-5974-0P | |

* Booster Pressurizer Can Only Be Used With Remote Mount Filters
** Must be used with In-line Booster Pressurizer

Tel: (08) 9351 9588
info@allplantelectrics.com.au
www.allplantelectrics.com.au

ALLPLANT
AUTO ELECTRICS & AIR CONDITIONING