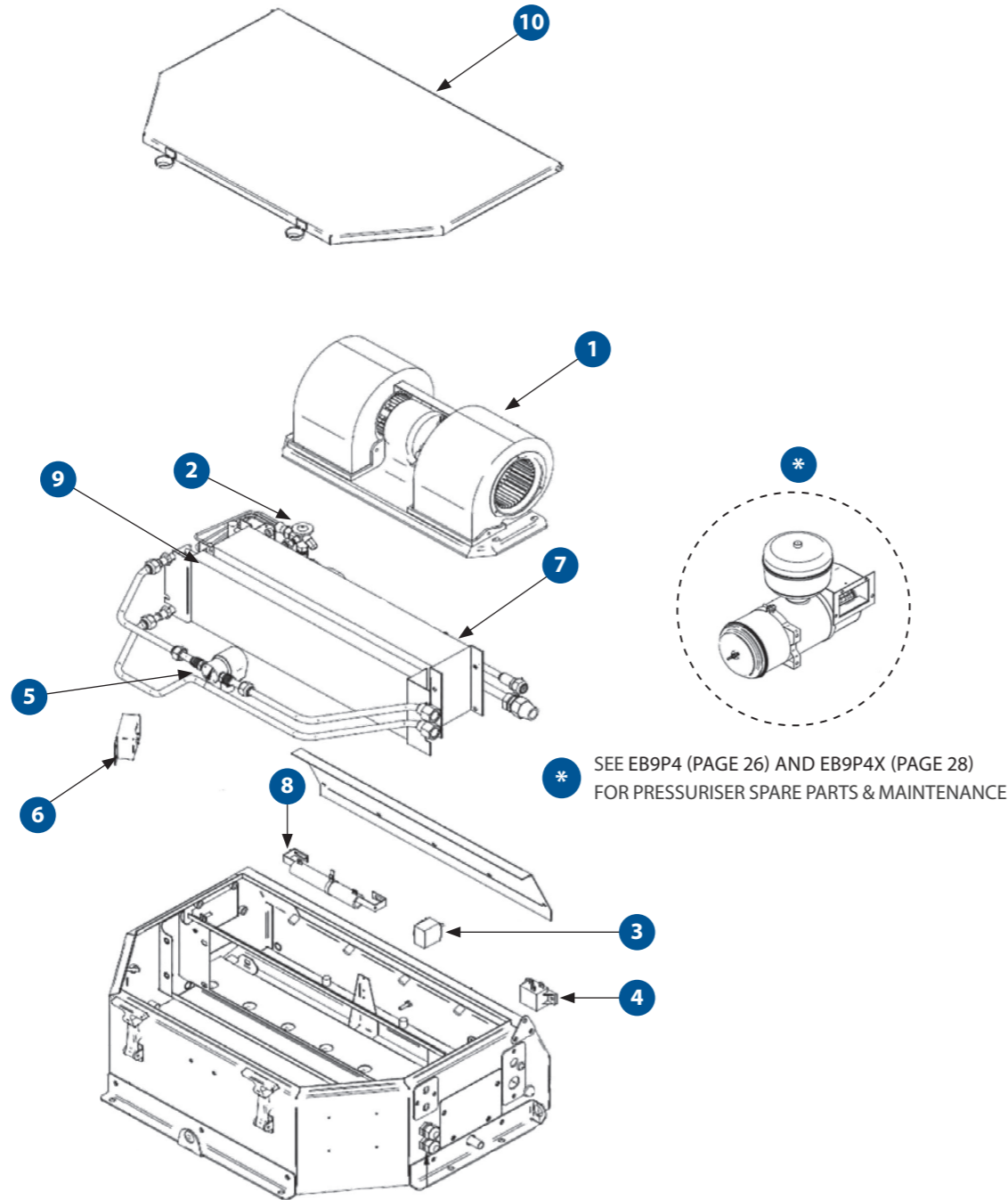




# TFR7

## ROOFTOP EVAPORATOR

TFR7BX2



## SPARE PARTS

PART NO.	DESCRIPTION	QTY
MC044S	RETURN AIR FILTER ASSEMBLY E&T SERIES	1
1 AS500037	SUPPLY FAN ASSEMBLY	1
AU320C053	MOTOR 3450-263 27VDC D/S	1
UF171	BLOWER 121D X 127W X 3/8" DI	1
UF173	BLOWER HOUSING LEFT HAND	1
UF174	BLOWER HOUSING RIGHT HAND	1
AU320028	BRUSH	1
UF034	INLET RING	1
2 AU521509	TX VALVE 2T 3/8" IN 1/2" OUT 1/4" EQ R134A	1
AU521508	TX ORIFICE 2T R22 #06	1
3 UE016	THERMOSTAT DEICE STUD	1
4 AU661487	RELAY 50A 24VDC 1 POLE	1
5 UE057	VALVE SOLENOID 1/4" BSP 24VDC WATER	1
6 AU681925	THERMOSTAT 12-24VDC WITH SENSOR + POT	1
7 AU120954	EVAPORATOR COIL 570MM X 152MM X 95MM 6RW TDR6	1
8 AU692105	RESISTOR 2 OHM 100W 1 CLIPS ADJUSTABLE	1
9 AU130014	HEATER COIL 570 X 152 X 32 2RW TFR6BX2	1
10 AS247423	LID ASSEMBLY	1
AU862216	SEAL EMKA 1011-10 RUBBER	1
AU851590	TOGGLE CLAMP RUBBER	2
AU641065	CIRCUIT BREAKER 25A PUSH PULL	1
AU641C110	CIRCUIT BREAKER 15A PUSH PULL	1
AU821300	DIFFUSER ROUND 120MM POLYAMIDE	4
AU517505	VALVE ACCESS 1/4" 1/8" OD SOLDER	1
UC020	HOSE CLEAR PVC 12 5MM ID	6.00
UC504	DRAIN NOZZLE 13MM	4
AU523365	LP SWITCH 1/4" FF 205kPa	1
AU663563	ROTARY SWITCH FAN	1
AU663569	ROTARY SWITCH MODE	1
AU681926	POT 10K WITH PLUG	1

\* SEE EB9P4 (PAGE 26) AND EB9P4X (PAGE 28) FOR PRESSURISER SPARE PARTS AND MAINTENANCE

## SPECIFICATIONS

	METRIC	IMPERIAL
Cooling Capacity	7.0 kW	23884 BTU
Heating Capacity	6.0 kW	20472 BTU
Fan Speeds	3	3
Air Flow	170 l/s	360 CFM
Fresh Air	30 l/s	64 CFM
Power Supply	24V / 12V	24V / 12V
Current Draw	13.5 / 27A	13.5 / 27A
Refrigerant	R134a	R134a
Maximum Ambient Temperature	54°C	129°F
Weight (nominal)	80.0 Kg	176.0 lbs
Technical Manual Reference	SM395-5000	SM395-5000
Dimension L X W X H	774mm X 600mm X 266mm	30.5in X 23.6in X 10.5in

## MAINTENANCE

MONTHLY / 400 HOURS	
MC044S	RETURN AIR FILTER ASSEMBLY E&T SERIES
ANNUALLY / 4,800 HOURS	
AU320C053	MOTOR 3450-263 27VDC D/S
3 YEARS / 14,400 HOURS	
AU521509	TX VALVE 2T 3/8" IN 1/2" OUT 1/4" EQ R134A
AU521508	TX ORIFICE 2T R22 #06
UE016	THERMOSTAT DEICE STUD
AU661487	RELAY 50A 24VDC 1 POLE
UE057	VALVE SOLENOID 1/4" BSP 24VDC WATER
AU681925	THERMOSTAT 12-24VDC WITH SENSOR + POT
AU862213	SEAL EMKA 1011-10 RUBBER

Please contact SIGMA for more information including details on an overhaul scope and interval. Maintenance periods and scope are dependent on application and site conditions, and are to be used as a guide.

## COMPANION ITEMS

PART NO.	DESCRIPTION
TCF7BX2	Electric Condenser
EB9P4X	Pressuriser
H0017479	Hydraulic Compressor
H0017481	Hydraulic Compressor
AU1102401	Radiator Condenser
AU270306	Engine Driven Compressor
AU270307	Engine Driven Compressor
AU2790311	Engine Driven Compressor
AU270312	Engine Driven Compressor
AU531411	Receiver Drier
AU531422	Receiver Drier
AU523655	HP Switch