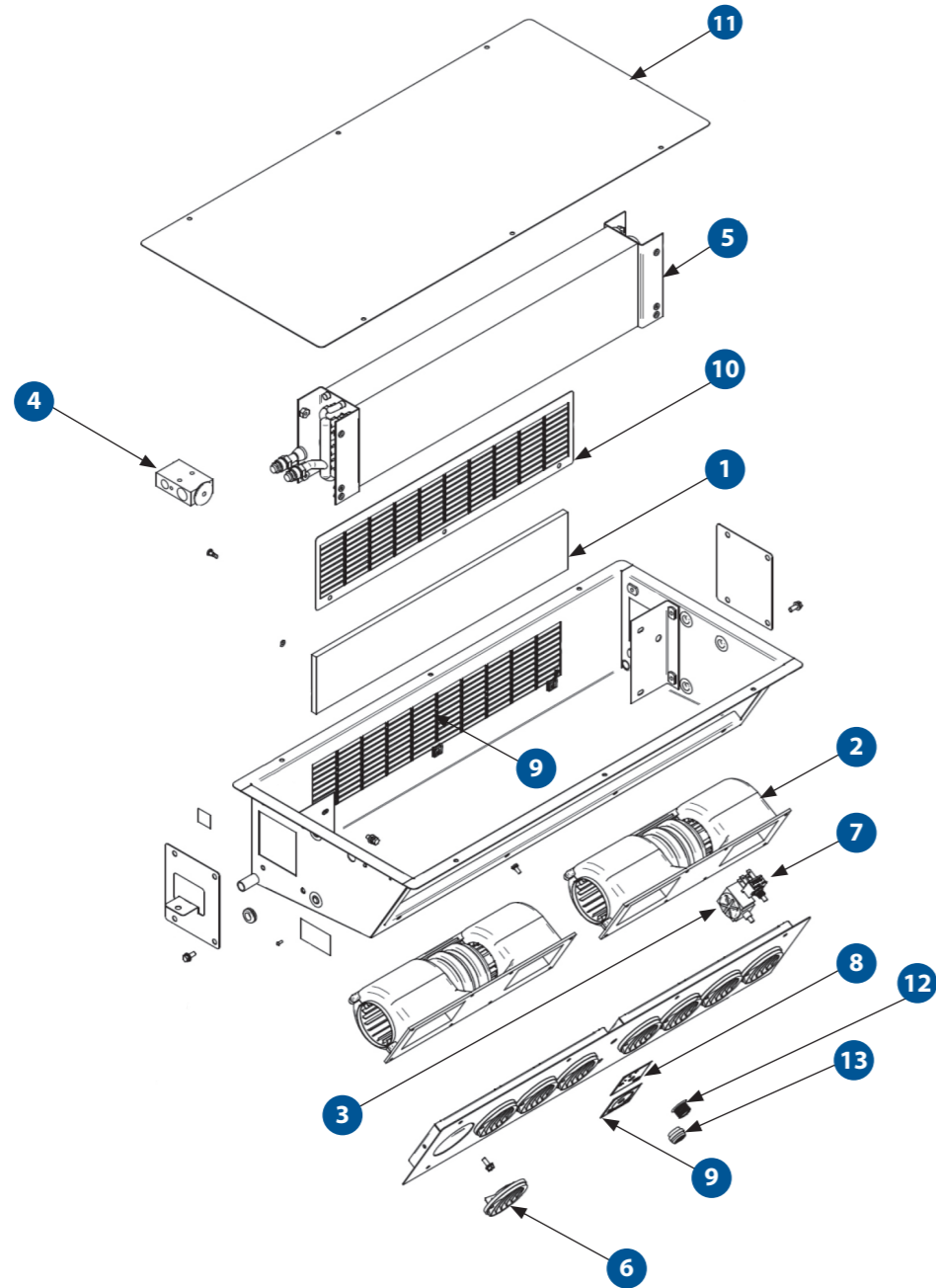




EC22H

CEILING EVAPORATOR

EC22H2 | EC22H4



SPARE PARTS

PART NO.	DESCRIPTION	QTY
1 S2502084	FILTER MEDIA	1
2 AU400035	FAN DECK 12V 3SPEED (EC22H2)	2
AU400034	FAN DECK 24V 3SPEED (EC22H4)	2
3 UE016	THERMOSTAT DEICE STUD	1
4 AU521946	TX VALVE BLOCK 2T 3/8" IN 1/2" OUT R134A	1
5 AU120660	EVAPORATOR COIL 600MM X 152MM X 63MM 4RW EC22H	1
6 AU821708	LOUVRE ROUND 3" HOLE	8
7 UE335	ROTARY SWITCH 3-SPEED C/W NUT	1
8 AU854350	LABEL AUTOMOTIVE FAN SWITCH	1
9 AU854351	LABEL STANDARD THERMOSTAT	1
10 S2502024	FILTER COVER	1
11 S2502022	EVAPORATOR LID	1
12 UC451	KNOB BLACK PLASTIC	1
13 UC022	KNOB SNOWFLAKE	1
UC504	DRAIN NOZZLE 13MM	2
AU552403	O RING 134A SIZE 13/32" #8	2

SPECIFICATIONS

	METRIC	IMPERIAL
Cooling Capacity	6.0 kW	20472 BTU
Fan Speeds	3	3
Air Flow	220 l/s	466 CFM
Power Supply	24V / 12V	24V / 12V
Current Draw	12 A / 24 A	12 A / 24 A
Refrigerant	R134a	R134a
Maximum Ambient Temperature	46°C	115°F
Weight (nominal)	14.0 Kg	30.8 lbs
Technical Manual Reference	SM260-2494	SM260-2494
Dimension L X W X H	886mm X 390mm X 180mm	34.9in X 15.4in X 7.1in

MAINTENANCE

MONTHLY / 300 HOURS	
S2502084	FILTER MEDIA
ANNUAL / 3,600 HOURS	
AU400034	FAN DECK 24V 3SPEED
AU400035	FAN DECK 12V 3SPEED
3 YEARS / 10,800 HOURS	
UE016	THERMOSTAT DEICE STUD
AU521946	TX VALVE BLOCK 2T 3/8" IN 1/2" OUT R134A

Please contact SIGMA for more information including details on an overhaul scope and interval. Maintenance periods and scope are dependent on application and site conditions, and are to be used as a guide.

COMPANION ITEMS

PART NO.	DESCRIPTION
EC22C4	Electric Condenser
EB9P4X	Pressuriser
HDC150	Hydraulic Compressor
AU2961001	Electric Compressor
AU110388	Radiator Condenser
AU270306	Engine Driven Compressor
AU270307	Engine Driven Compressor
AU2790311	Engine Driven Compressor
AU270312	Engine Driven Compressor
AU531422	Receiver Drier
KIT25021	EC22H Heater Kit
KNHV90019	Vertical Mount Drain Tray

- DRAGLINE & SHOVEL
- DRILL
- EXCAVATOR
- DOZER
- TRUCK
- WHEEL LOADER
- CONSTRUCTION
- UNDERGROUND EQUIPMENT
- INDUSTRIAL
- SMELTERS
- RAIL SPECIAL VEHICLES