

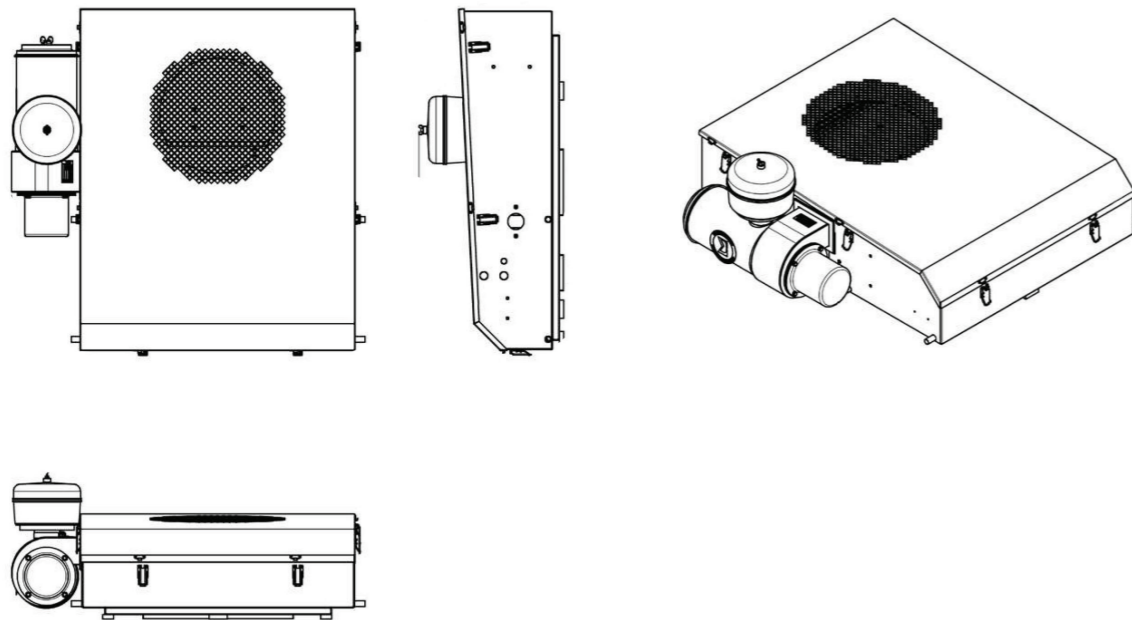


## EC64

### MEDIUM DUTY OFF ROAD ROOFTOP PACKAGED HVAC UNIT

EC64\* | EC64X | EC64XSS

\* HVAC obsolete, spares support only



DRAGLINE & SHOVEL

DRILL

EXCAVATOR

DOZER

TRUCK

WHEEL LOADER

CONSTRUCTION

UNDERGROUND EQUIPMENT

INDUSTRIAL

SMELTERS

RAIL SPECIAL VEHICLES

## SPARE PARTS

PART NO.	DESCRIPTION	QTY
MC0445	RETURN AIR FILTER ASSEMBLY E&T SERIES	1
AU320621	BRUSH MOTOR 24VDC SET X 2	2
UE023	MOTOR 24VDC D/S	1
UE026	MOTOR 24VDC S/S	1
AU531411	RECEIVER DRIER 3/8" 24UNF 165MM HIGH	1
UE016	THERMOSTAT DEICE STUD	1
UE072	RELAY 24VDC 70A AUTOMOTIVE	1
AU521923	TX VALVE 1.5T 3/8" IN 1/2" OUT 1/4" EQ	1
UR032	TX VALVE STRAINER FOR AU521923	1
UR396	CONDENSER COIL 600MM X 229MM X 110MM	1
UR532	EVAPORATOR COIL 600MM X 152MM X 79MM +32 5+2RW	1
AU420229	FAN AXIAL 300MM 3 BLADES LB	1
UF173	BLOWER HOUSING LEFT HAND	1
UF174	BLOWER HOUSING RIGHT HAND	1
UF171	BLOWER 121D X 127W X 3/8" DI	2
UC028	CONDENSER MOTOR MOUNT	2
AS500625	CONDENSER COIL ASSEMBLY EC6	1
AS500607	EVAPORATOR COIL ASSEMBLY EC6	1
UE183	RESISTOR 3 OHM 50W 24V	1
UE700	CIRCUIT BREAKER 40A STUD TYP MANUAL	1
UC027	EVAPORATOR MOTOR MOUNT	1
UE064	DPC 1/4" MF HP 2206kPa LP 196kPa	1
AU460807	FILTER MEDIA 12MM G2	1
AU821704	DIFFUSER ROUND 92MM PVC	5
AU663564	ROTARY SWITCH OFF LO HI LO	1
AU853507	LEAF SPRING 105MM X 13MM	1
UC504	DRAIN NOZZLE 13MM	2
UF034	INLET RING 103.5MM	1
ERF032	FUSE BOX - 6 WAY BLADE	1
AS500610	LIQUID LINE - DRIER TO TX VALVE	1
AU872873	BULKHEAD FITTING 5/8SLF X 3/4MF	1
AS500609	LIQUID LINE - COIL TO DRIER	1
S5006029	MOTOR MOUNT CLAMP 97MM	1
S5006034	LIQUID LINE (COIL TO DRIER)	1
MC043	SWITCH PANEL COMPLETE EC6	1
UC048	LATCH TOGGLE OVER-CENTRE	6
UC047	KEEPER PLATE ZP	6
AU643210	FUSE BLADE 25A AUTO	1
UC020	HOSE CLEAR PVC 12 5MM ID	6

## SPECIFICATIONS

	METRIC	IMPERIAL
<b>Cooling Capacity</b>	6.0 kW	20472 BTU
<b>Heating Capacity</b>	6.0 kW	20472 BTU
<b>Fan Speeds</b>	2	2
<b>Air Flow</b>	250 l/s	530 CFM
<b>Fresh Air</b>	30 l/s	64 CFM
<b>Power Supply</b>	24V	24V
<b>Current Draw</b>	18 A	18 A
<b>Refrigerant</b>	R134a	R134a
<b>Maximum Ambient Temperature</b>	46°C	115°F
<b>Weight (nominal)</b>	35.0 Kg	77.0 lbs
<b>Technical Manual Reference</b>	SM150-5006	SM150-5006
<b>Dimension L X W X H</b>	945mm X 750mm X 260mm	37.2in X 29.5in X 10.2in

## MAINTENANCE

### MONTHLY / 300 HOURS

**MC0445** RETURN AIR FILTER ASSEMBLY E&T SERIES

### 6 MONTHLY / 1,800 HOURS

**AU320621** BRUSH MOTOR SET X 2

### ANNUAL / 3,600 HOURS

**UE023** MOTOR 24VDC D/S

**UE026** MOTOR 24VDC S/S

**AU531411** RECEIVER DRIER 3/8" 24UNF 165MM HIGH

### 3 YEARS / 10,800 HOURS

**UE072** RELAY 24VDC 70A AUTOMOTIVE

**AU521923** TX VALVE 1.5T 3/8" IN 1/2" OUT 1/4" EQ

**UR032** TX VALVE STRAINER FOR AU521923

**UF171** BLOWER 121D X 127W X 3/8" DI

**AU420229** FAN AXIAL 300MM 3 BLADES LB

**AU663564** ROTARY SWITCH OFF LO HI LO

**UE183** RESISTOR 3 OHM 50W 24V

Please contact SIGMA for more information including details on an overhaul scope and interval. Maintenance periods and scope are dependent on application and site conditions, and are to be used as a guide.

## COMPANION ITEMS

PART NO.	DESCRIPTION
<b>EB9P4X</b>	Pressuriser
<b>HDC150</b>	Hydraulic Compressor
<b>AU2961001</b>	Electric Compressor
<b>AU270306</b>	Engine Driven Compressor
<b>AU270307</b>	Engine Driven Compressor
<b>AU2790311</b>	Engine Driven Compressor
<b>AU270312</b>	Engine Driven Compressor