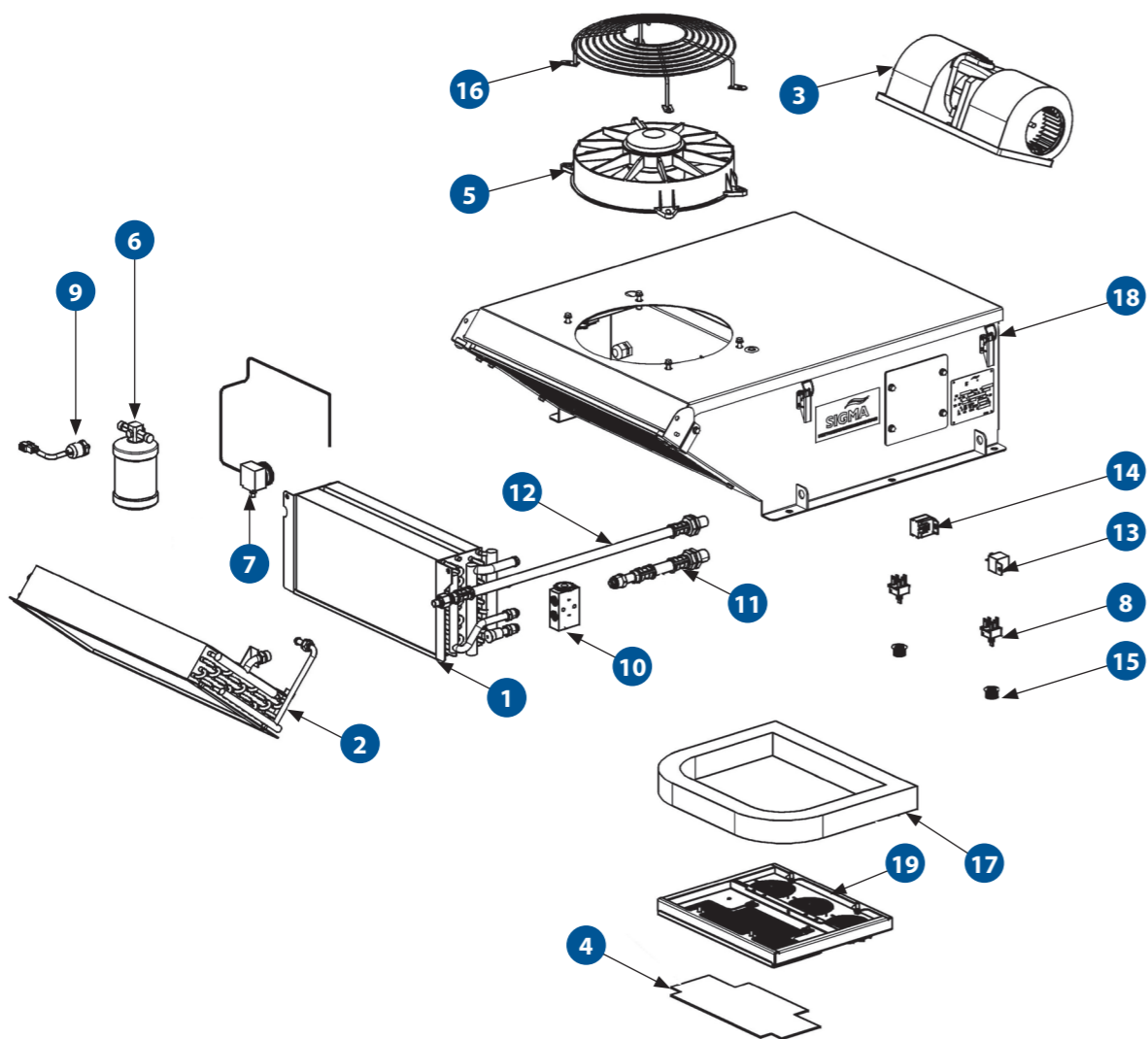


EPR4

ROOFTOP PACKAGED HVAC UNIT

EPR4AX1 | EPR4BX1



SPARE PARTS

PART NO.	DESCRIPTION	QTY
1	H0032385 EVAPORATOR HEATER COIL	2
2	H0002358 CONDENSER COIL	2
3	AU400050 BLOWER ASSEMBLY 3SPEED 12V (EPR4AX1) H0088451 BLOWER ASSEMBLY 3SPEED 24V (EPR4BX1)	1 1
4	H0044857 PLENUM RETURN AIR FILTER MEDIA	1
5	H0097521 CONDENSER FAN ASSEMBLY 280MM 12V (EPR4AX1) H0088425 CONDENSER FAN ASSEMBLY 280MM 24V (EPR4BX1)	1 2
6	AU531422 RECEIVER DRIER 134A	2
7	UE016 THERMOSTAT DEICE STUD	2
8	UE335 SWITCH 3-SPEED C/W NUT	2
9	UE064 HP/LP PRESSURE SWITCH	1
10	H0092214 TX VALVE BLK 1.5T R134A	1
11	H0052679 FLEX HOSE #10 MOR-FTG B/HD & STR	2
12	H0052678 FLEX HOSE #8 MOR-FTG B/HD & STR	2
13	AU661482 RELAY 30A (EPR4AX1) AU661483 RELAY 20A (EPR4BX1)	3 1
14	ERR025 RELAY BASE (PANEL MOUNT 12V)	3
15	UC451 KNOB 1/4 BLACK PLASTIC	2
16	H0047048 CONDENSER FAN GUARD	1
17	H0042481 ERP4 ROOF SEAL	1
18	UC048 TOGGLE	4
19	AU821704 DIFFUSER ROUND 92MM	1

SPECIFICATIONS

	METRIC	IMPERIAL
Cooling Capacity	4.5 kW	15354 BTU
Heating Capacity (Optional)	4.0 kW	13648 BTU
Fan Speeds	3	3
Air Flow	150 l/s	318 CFM
Power Supply	24V / 12V	24V / 12V
Current Draw	15 A / 30 A	15 A / 30 A
Refrigerant	R134a	R134a
Maximum Ambient Temperature	46°C	115°F
Weight (nominal)	47 kgs	103.4 lbs
Technical Manual Reference	HD0019477	HD0019477
Dimension (L X W X H)	804mm X 650mm X 364mm	31.7in X 25.6in X 14.3in

MAINTENANCE

MONTHLY / 300 HOURS

H0044857 PLENUM RETURN AIR FILTER MEDIA

ANNUAL / 3,600 HOURS

AU400050 BLOWER ASSEMBLY 3SPEED 12V (EPR4AX1)

H0088451 BLOWER ASSEMBLY 3SPEED 24V (EPR4BX1)

H0097521 CONDENSER FAN ASSEMBLY 280MM 12V (EPR4AX1)

H0088425 CONDENSER FAN ASSEMBLY 280MM 24V (EPR4BX1)

AU531422 RECEIVER DRIER 134A

3 YEARS / 10,800 HOURS

UE016 THERMOSTAT DEICE STUD

UE335 SWITCH 3-SPEED C/W NUT

UE064 HP/LP PRESSURE SWITCH

H0092214 TX VALVE BLK 1.5T R134A

H0002358 CONDENSER COIL

H0032385 EVAPORATOR HEATER COIL

Please contact SIGMA for more information including details on an overhaul scope and interval. Maintenance periods and scope are dependent on application and site conditions, and are to be used as a guide.

COMPANION ITEMS

PART NO.	DESCRIPTION
H0038939	Heater Kit (24V only)
EB9P4X	Pressuriser (24V only)
HDC150	Hydraulic Compressor
AU270306	Engine Driven Compressor
AU270307	Engine Driven Compressor
AU2790311	Engine Driven Compressor
H0097524	Heater Option (12VDC)

