



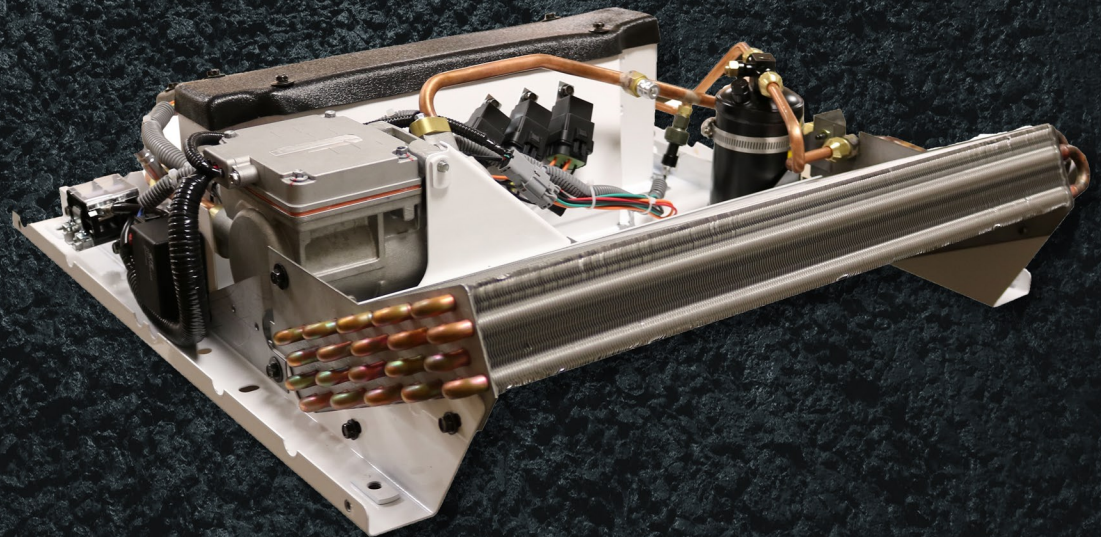
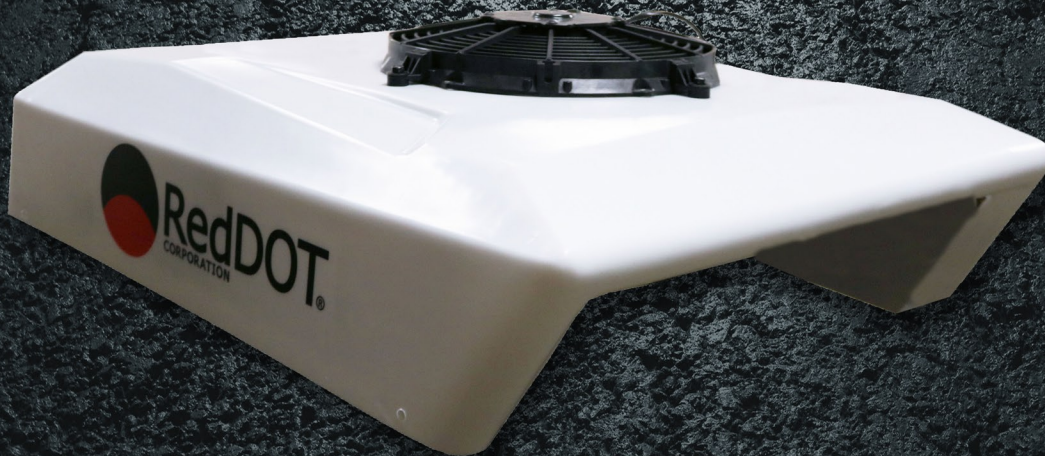
ELECTRIC AIR CONDITIONER

Red Dot Model

**E-6100**

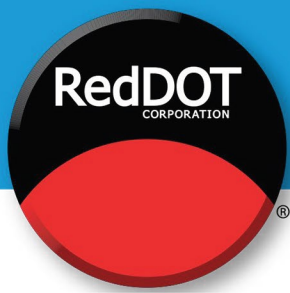
**ROOFTOP**

Red Dot has created an electric rooftop unit for use on heavy, medium and light duty trucks, construction and agricultural cabs. The E-6100 electric rooftop air conditioner is a self-contained unit incorporating a condenser, compressor and evaporator core.



**E-6100-0-12P 12v unit \* 299 CFM \* 11,900 BTU \* draws 60-100 amps**

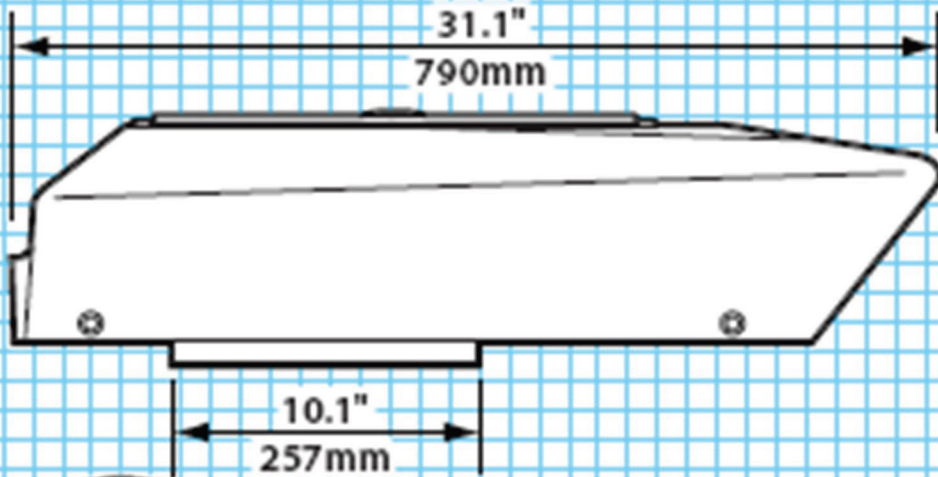
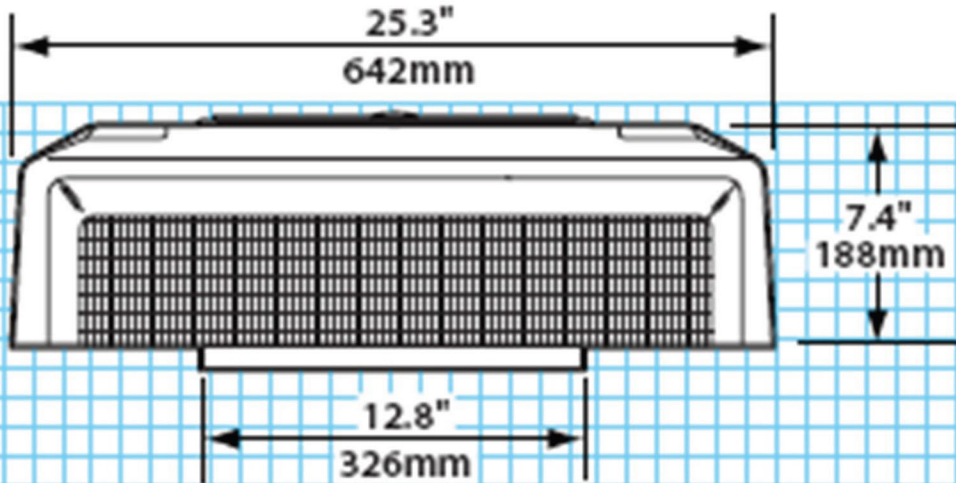
**E-6100-0-24P 24v unit \* 299 CFM \* 15,000 BTU \* draws 60-100 amps**



# ELECTRIC AIR CONDITIONER

Red Dot Model **E-6100**

**ROOFTOP**



A low profile plenum protrudes barely 1" into the cab and blends easily into the headliner leaving ample head room.

Frigid, high-velocity air can be directed 360 through the large diffusers located directly below the double blowers. Also featured is a cab air filter incorporated into the plenum.