

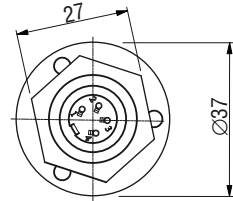
Vision is
our mission®

Bulkhead connector molded 4p
Article no. 0357011
2017 • DS0963090 EN A 03

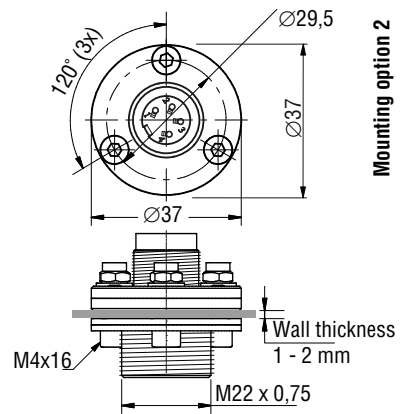
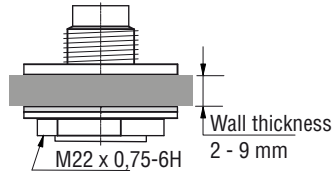
Product Data



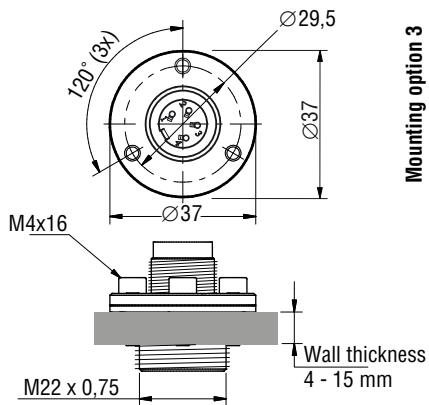
Dimensions



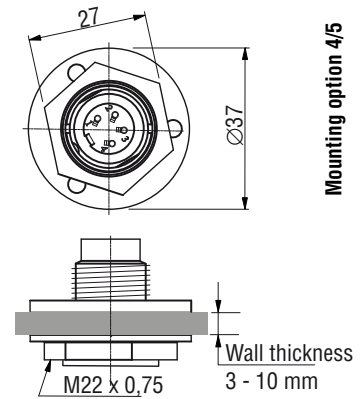
Mounting option 1



Mounting option 2



Mounting option 3



Mounting option 4/5

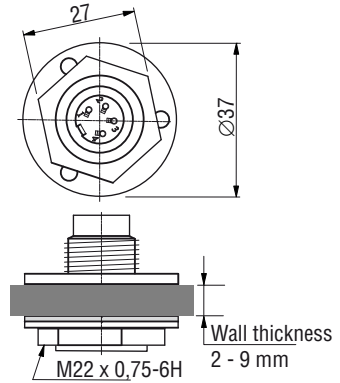
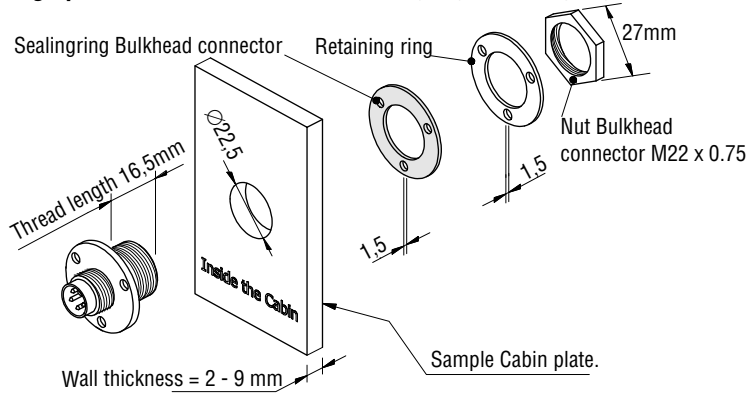
TECHNICAL DATA

Bulkhead connector molded 4p

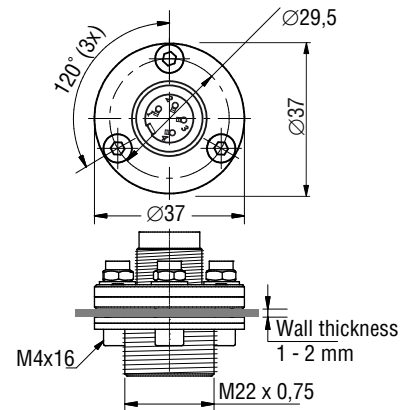
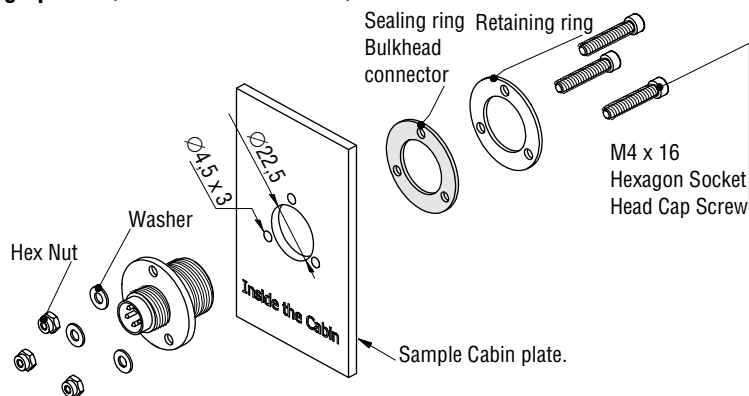
Description	0357011
Article number	Suitable for wall thickness; 1 - 15mm.
Description	Stainless steel 304.
Material	-40°C to +85°C.
Operating temp:	IP 67 according to IEC 60529.
Protection:	0,08Kg.
Weight:	2 x 4 poles connector 723, gold (male & female).
Connectors:	3 Socket head cap screws M4x16 DIN 912B with lock nuts DIN 985B.
Construction:	21 x 1,5 mm NBR70 (art. no. 3220040).
O-ring:	A maximum torque of 22Nm for the M22 x 0,75 nut is acceptable.
Mounting instruction:	

Dimensions/mounting

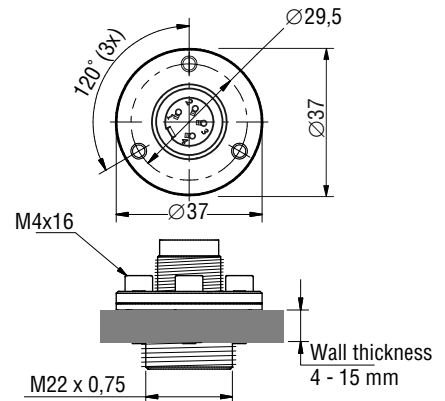
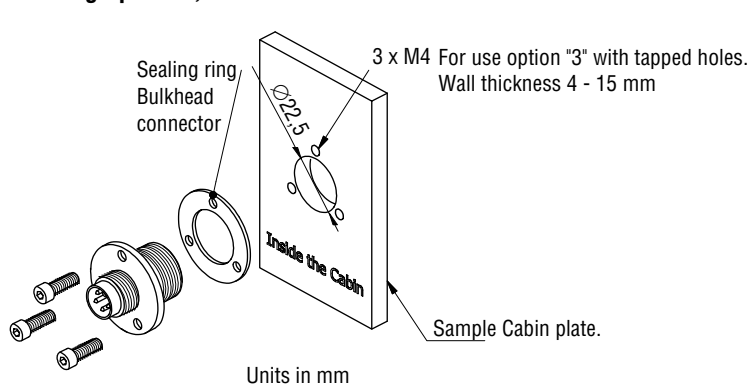
Mounting option 1; Installed with the nut, retaining ring and sealing ring



Mounting option 2; Installed with the 3 bolts, washers and nuts

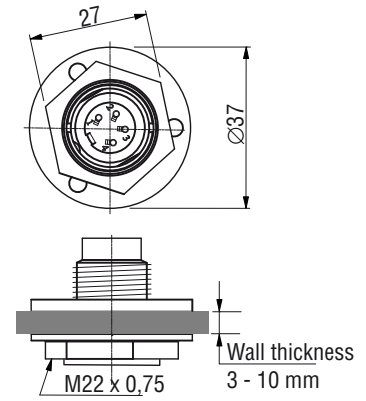
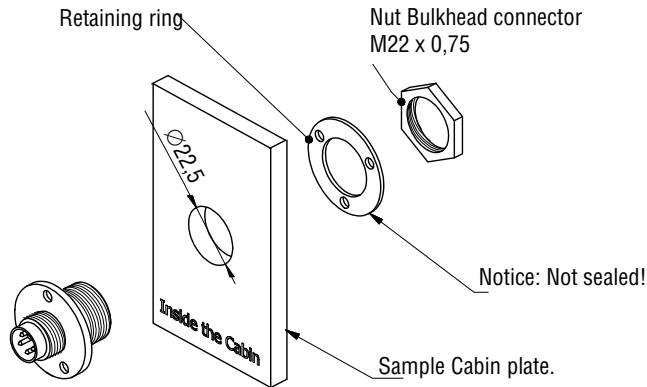


Mounting option 3; Installed with the 3 bolts

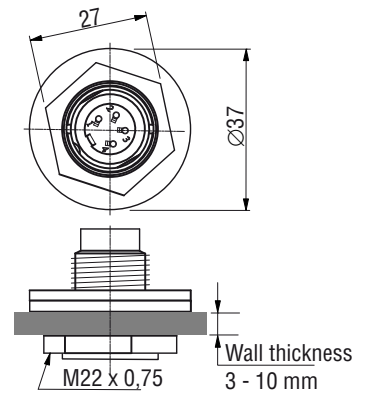
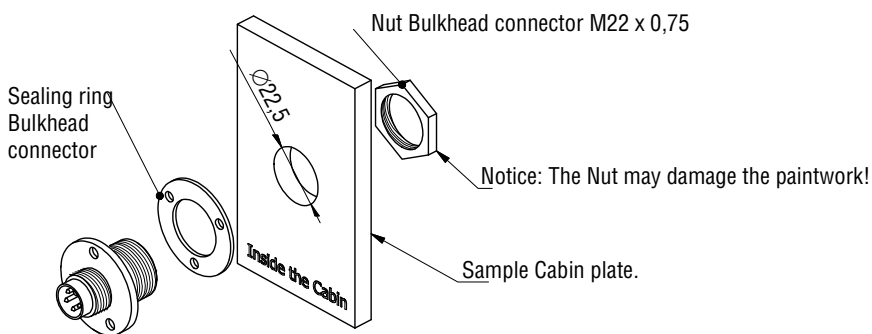


Dimensions/mounting

Mounting option 4; Installed with the nut and retaining ring (no sealing ring used)



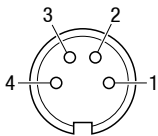
Mounting option 5; Installed with the nut and sealing ring (no retaining ring used)



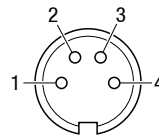
Installation

Soldering of connectors

- 1 = Coax core (Video signal)
- 2 = Coax screen (Video ground)
- 3 = Red (12V/DC)
- 4 = Black (Power GND)



Front side
Male



Front side
Female