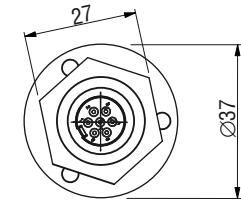


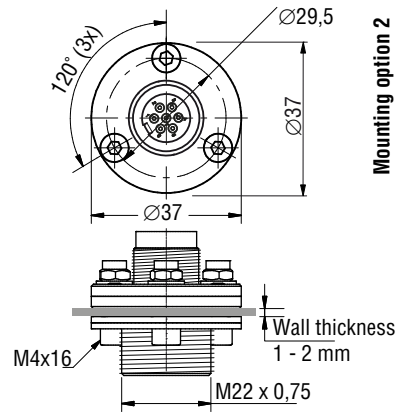
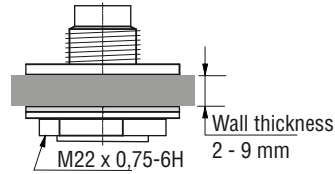
# Product Data



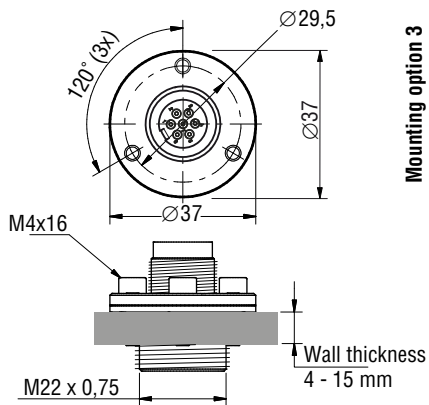
Dimensions



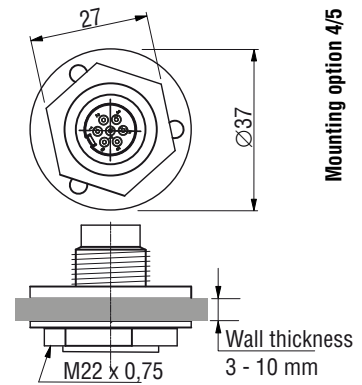
Mounting option 1



Mounting option 2



Mounting option 3



Mounting option 4/5

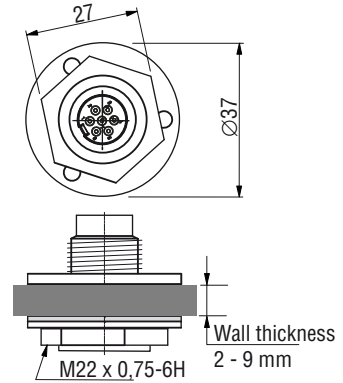
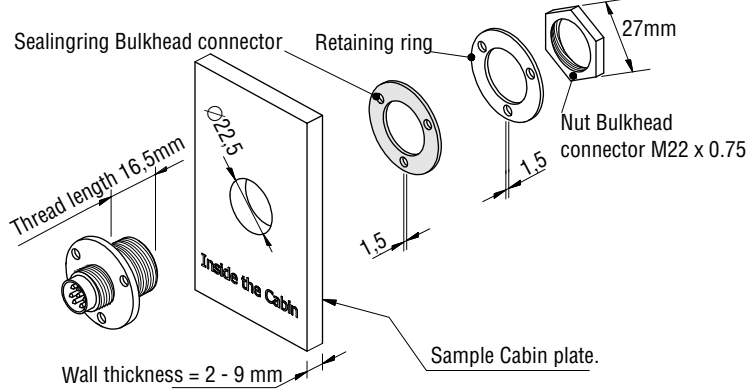
# TECHNICAL DATA

## Bulkhead connector molded 7p

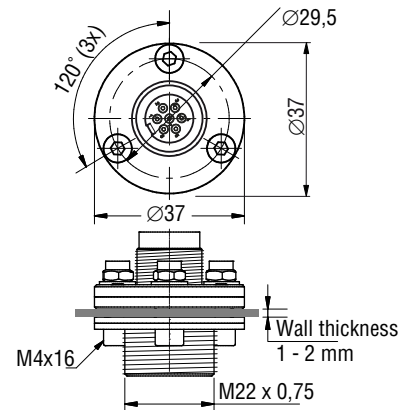
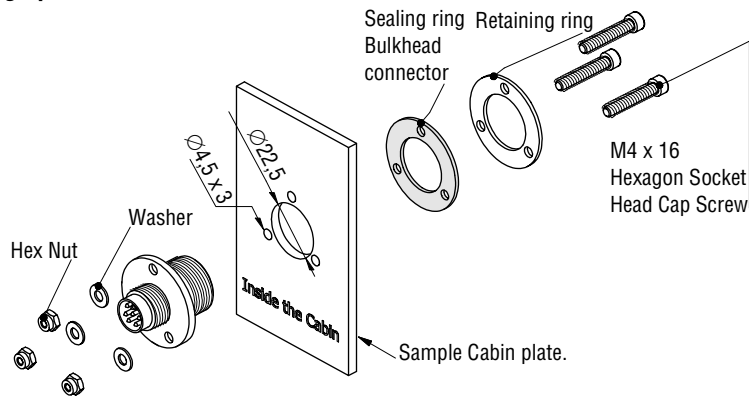
<b>Article number</b>	<b>0357051</b>
<b>Description</b>	Suitable for wall thickness; 1 - 15mm.
<b>Material</b>	Stainless steel 304.
<b>Operating temp:</b>	-40°C to +85°C.
<b>Protection:</b>	IP 67 according to IEC 60529.
<b>Weight:</b>	0,08Kg.
<b>Connectors:</b>	2 x 7 poles connector 723, gold (male & female).
<b>Construction:</b>	3 Socket head cap screws M4x16 DIN 912B with lock nuts DIN 985B.
<b>O-ring:</b>	21 x 1,5 mm NBR70 (art. no. 3220040).
<b>Mounting instruction:</b>	A maximum torque of 22Nm for the M22 x 0,75 nut is acceptable.

### Dimensions/mounting

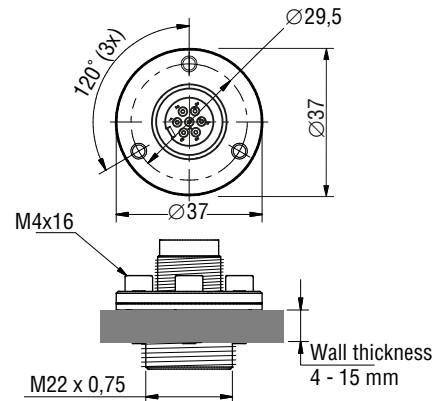
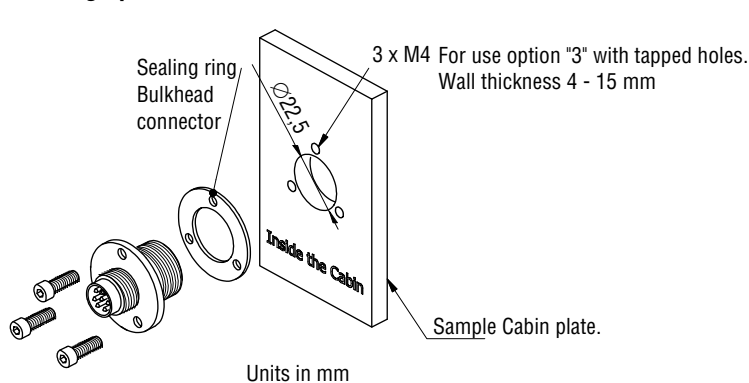
#### Mounting option 1; Installed with the nut, retaining ring and sealing ring



#### Mounting option 2; Installed with the 3 bolts, washers and nuts

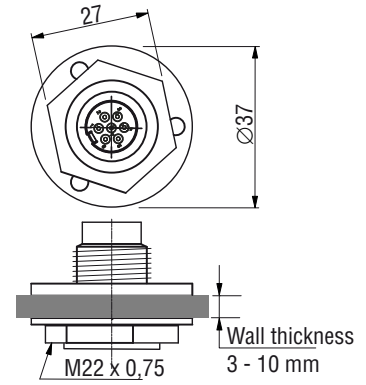
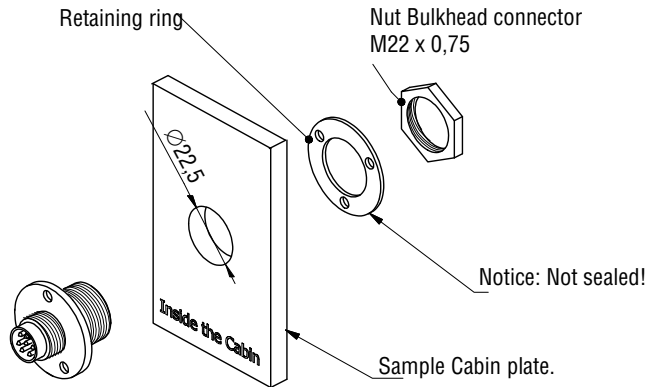


#### Mounting option 3; Installed with the 3 bolts

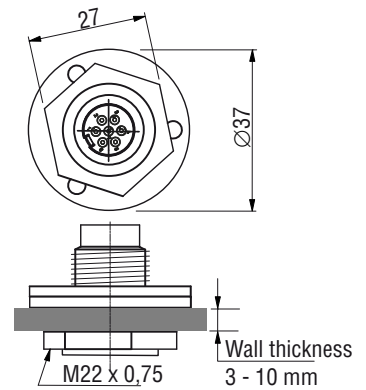
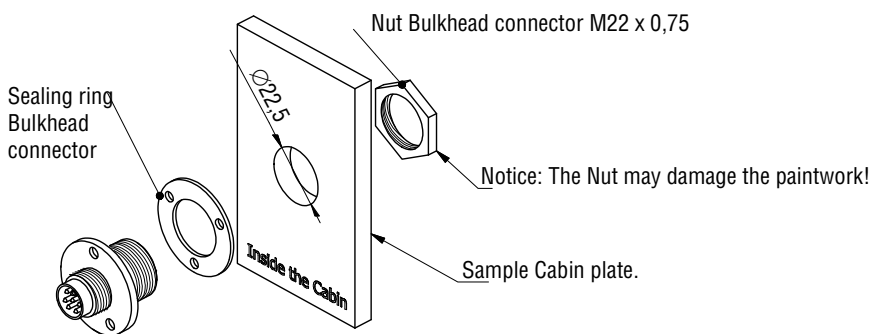


## Dimensions/mounting

### Mounting option 4; Installed with the nut and retaining ring (no sealing ring used)

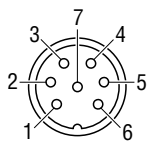


### Mounting option 5; Installed with the nut and sealing ring (no retaining ring used)



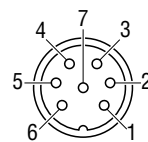
### Installation

#### Soldering of connectors



Front side  
Male

- 1 = Coax core (Video signal)
- 2 = Coax screen (Video ground)
- 3 = Red (12V/DC)
- 4 = Black (Power GND)
- 5 = Aux 1
- 6 = Aux 2
- 7 = Aux 3



Front side  
Female